

# Patton Scroll Condensing Units



# Scroll Condensing Units



- Reliable and efficient Copeland Scroll Compressors.
- Generous wide finned, low noise level condensers factory supplied with protective fin and coil coating.
- Wide range of factory fitted accessories available.
- Specifically designed for Australasian conditions.

**SB** LOW / MEDIUM / HIGH

3.3 6.0 hp

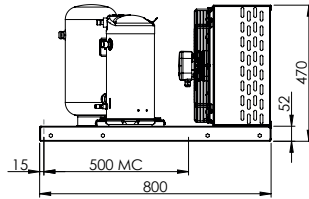
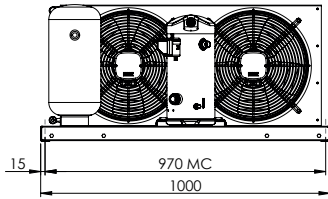
**COPELAND™**

**CAPACITY** (Watts) @ 32°C Ambient

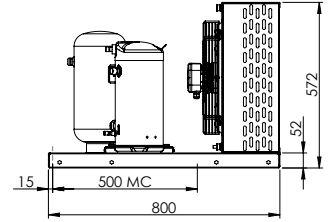
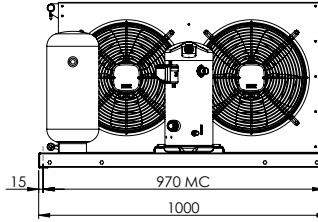
Model	Nom. hp	Refrigerant	Evaporating Temp °C								
			-25	-20	-15	-10	-5	0	5	10	15
SB325	3.25	R134a	-	-	-	3400	4200	5250	6250	7400	8800
		R449A	2640	3500	4280	5240	6330	7490	8780	-	-
		R404A	3270	3930	4730	5640	6550	7670	8770	-	-
SB350	3.5	R134a	-	-	-	4000	5000	5900	7200	8450	10000
		R449A	2870	4000	4900	5930	7170	8490	9960	-	-
		R404A	3680	4320	5200	6190	7180	8420	9610	-	-
SB400	4.0	R134a	-	-	-	4600	5900	7000	8300	9900	11000
		R449A	3310	4660	5620	6820	8190	9660	11280	-	-
		R404A	4210	5060	6170	7410	8780	10130	11770	-	-
SB500	5.0	R134a	-	-	-	5200	6650	8500	10100	12110	14350
		R449A	4700	6130	7360	8870	10690	12600	14760	-	-
		R404A	5200	6230	7630	9200	10750	12600	14380	-	-
SB600	6.0	R134a	-	-	-	6600	8200	10100	12200	14600	17000
		R449A	6250	7300	8500	10410	12350	14740	17300	-	-
		R404A	6400	7540	9080	10800	12560	14690	16810	-	-

DIMENSIONS

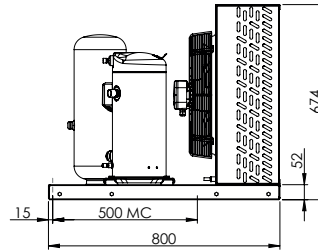
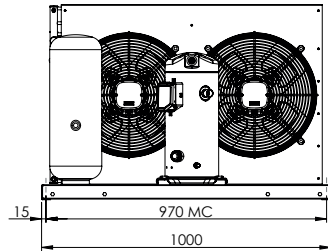
SB325 SB350



SB400



SB500 SB600



NTS (mm)  
MC = Mounting Centres  
Accessories not shown

TECHNICAL DATA

MODEL	COMPRESSOR					CONDENSER					RECEIVER	CONNECTIONS		Noise Level (dbA) (3)	Wgt (kg)
	Nom. hp	Model	Voltage	RLA Amps	LRA Amps	Model	Airflow (l/sec)	Fan Motors			Capacity (kg) (2)	Suction	Receiver Outlet		
								No. (1)	Tot. Watts	Tot. Amps					
SB325	3.3	ZB21KQE-TFD	380-420/3/50	7.2	40.0	NQ300	1460	2 x 350	290	1.4	6.2	3/4"	1/2"	64	83
SB350	3.5	ZB26KQE-TFD	380-420/3/50	8.8	46.0	NQ300	1460	2 x 350	290	1.4	6.2	3/4"	1/2"	64	84
SB400	4.0	ZB29KQE-TFD	380-420/3/50	7.1	50.0	NQ400	1510	2 x 350	290	1.4	6.2	3/4"	1/2"	64	98
SB500	5.0	ZB38KQE-TFD	380-420/3/50	9.0	65.0	NQ500	1470	2 x 350	290	1.4	8.8	7/8"	1/2"	65	109
SB600	6.0	ZB45KQE-TFD	380-420/3/50	9.1	74.0	NQ600	1550	2 x 400	520	3.0	8.8	7/8"	1/2"	68	114

NOTE:

- All fans 220-240/1/50
- R404A pump down capacity @ 80% full for 32° C liquid temp.
- All noise level ratings are "free field" based at a distance of 3.0 mtrs from source and are given as a guide only.
- Electrically complies to AS/NZS 60335.2.89 : 2002 + A1-A3 (Selected clauses)

The company reserves the right to make specification changes without notice. NZ 17/01/2019

# Scroll Condensing Units



- Reliable and efficient Copeland Scroll Compressors.
- Generous wide finned, low noise level condensers factory supplied with protective fin and coil coating.
- Wide range of factory fitted accessories available.
- Specifically designed for Australasian conditions.

**SB** LOW / MEDIUM / HIGH

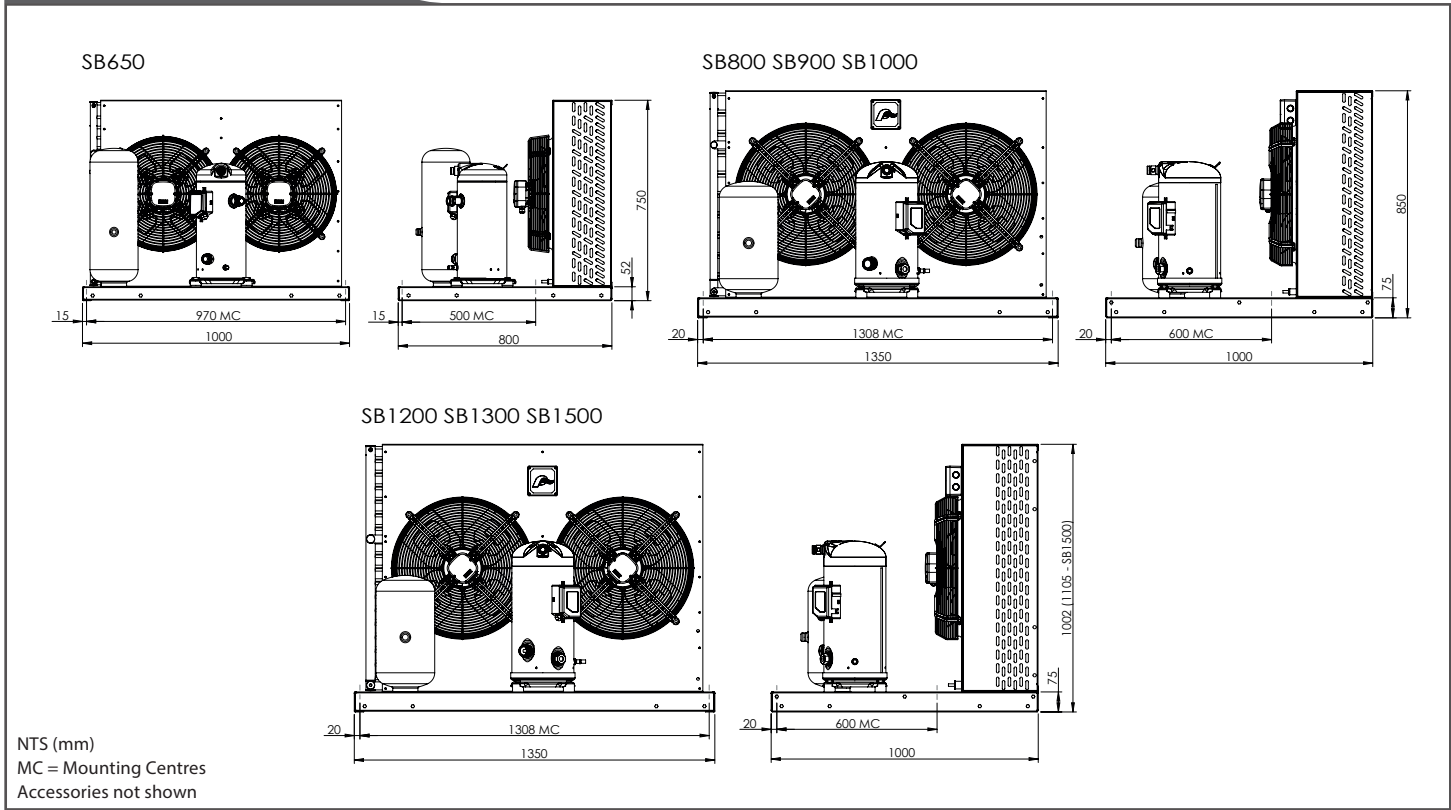
6.5 15 hp

**CAPACITY** (Watts) @ 32°C Ambient

**COPELAND™**

Model	Nom. hp	Refrigerant	Evaporating Temp °C								
			-25	-20	-15	-10	-5	0	5	10	15
SB650	6.5	R134a	-	-	-	7340	9060	10920	13190	15620	18210
		R449A	7150	8260	9760	11940	14210	16710	19600	-	-
		R404A	7380	8730	10490	12290	14480	16680	19410	-	-
SB800	8.0	R134a	-	-	-	8080	9930	12010	14480	17390	21210
		R449A	8200	9500	11080	13530	16050	18840	21990	-	-
		R404A	8430	9930	11910	14160	16380	18790	21380	-	-
SB900	9.0	R134a	-	-	-	9680	11980	14760	17860	21270	24010
		R449A	9540	10710	13280	15260	18260	21530	25170	-	-
		R404A	9780	11580	13950	16310	19200	22030	25110	-	-
SB1000	10.0	R134a	-	-	-	11230	13890	17050	20470	24610	28080
		R449A	11050	12670	15660	18050	21600	25560	29850	-	-
		R404A	11210	13360	15940	19090	22600	25970	29560	-	-
SB1200	12.0	R134a	-	-	-	12120	14770	19120	22765	27210	32010
		R449A	12950	14530	17510	20900	25000	30120	34950	-	-
		R404A	13100	15050	17700	21075	24950	29555	34175	-	-
SB1300	13.0	R134a	-	-	-	13770	17070	20960	25145	29890	34990
		R449A	14210	15540	19010	21770	26110	30720	35780	-	-
		R404A	14310	17680	20500	23280	27540	31560	35860	-	-
SB1500	15.0	R134a	-	-	-	16080	20050	24410	29345	35210	41510
		R449A	16100	18230	22420	25340	30700	36600	43040	-	-
		R404A	16700	20160	23870	27230	31800	36720	42130	-	-

DIMENSIONS



TECHNICAL DATA

MODEL	COMPRESSOR					CONDENSER				RECEIVER	CONNECTIONS		Noise Level (dbA) (3)	Wgt (kg)	
	Nom. hp	Model	Voltage	RLA Amps	MRA Amps	Model	Airflow (l/sec)	Fan Motor			Capacity (kg) (2)	Suction			Receiver Outlet
								No. (1)	Tot. Watts	Tot. Amps					
SB650	6.5	ZB48KQE-TFD	380-420/3/50	13.6	101.0	NQ650	1670	2 x 400	520	3.0	8.8	7/8"	5/8"	62	123
SB800	8.0	ZB58KQE-TFD	380-420/3/50	16.4	95.0	NQ750	2550	2 x 500	940	4.0	10.4	1-1/8"	7/8"	62	166
SB900	9.0	ZB66KQE-TFD	380-420/3/50	17.5	111.0	NQ900	2360	2 x 500	940	4.0	10.4	1-3/8"	7/8"	63	193
SB1000	10.0	ZB76KQE-TFD	380-420/3/50	20.0	118.0	NQ1000	2360	2 x 500	940	4.0	10.4	1-3/8"	7/8"	64	198
SB1200	12.0	ZB88KQE-TFD	380-420/3/50	22.3	118.0	NQ1300	2950	2 x 500	940	4.0	10.4	1-3/8"	7/8"	64	226
SB1300	13.0	ZB95KQE-TFD	380-420/3/50	26.4	140.0	NQ1300	2950	2 x 500	940	4.0	10.4	1-3/8"	7/8"	67	258
SB1500	15.0	ZB114KQE-TFD	380-420/3/50	28.6	174.0	NQ1400	3610	2 x 500	940	4.0	20.0	1-5/8"	7/8"	67	275

NOTES:

- All fans 220-240/1/50
- R404A pump down capacity @ 80% full for 32° C liquid temp.
- All noise level ratings are "free field" based at a distance of 3.0 mtrs from source and are given as a guide only.
- Electrically complies to AS/NZS 60335.2.89 : 2002 + A1-A3 (Selected clauses)

The company reserves the right to make specification changes without notice. NZ 17/01/2019

# Scroll Condensing Units



- Reliable and efficient Copeland Scroll Compressors.
- Generous wide finned, low noise level condensers factory supplied with protective fin and coil coating.
- Wide range of factory fitted accessories available.
- Specifically designed for Australasian conditions.

**SBS** LOW / MEDIUM / HIGH

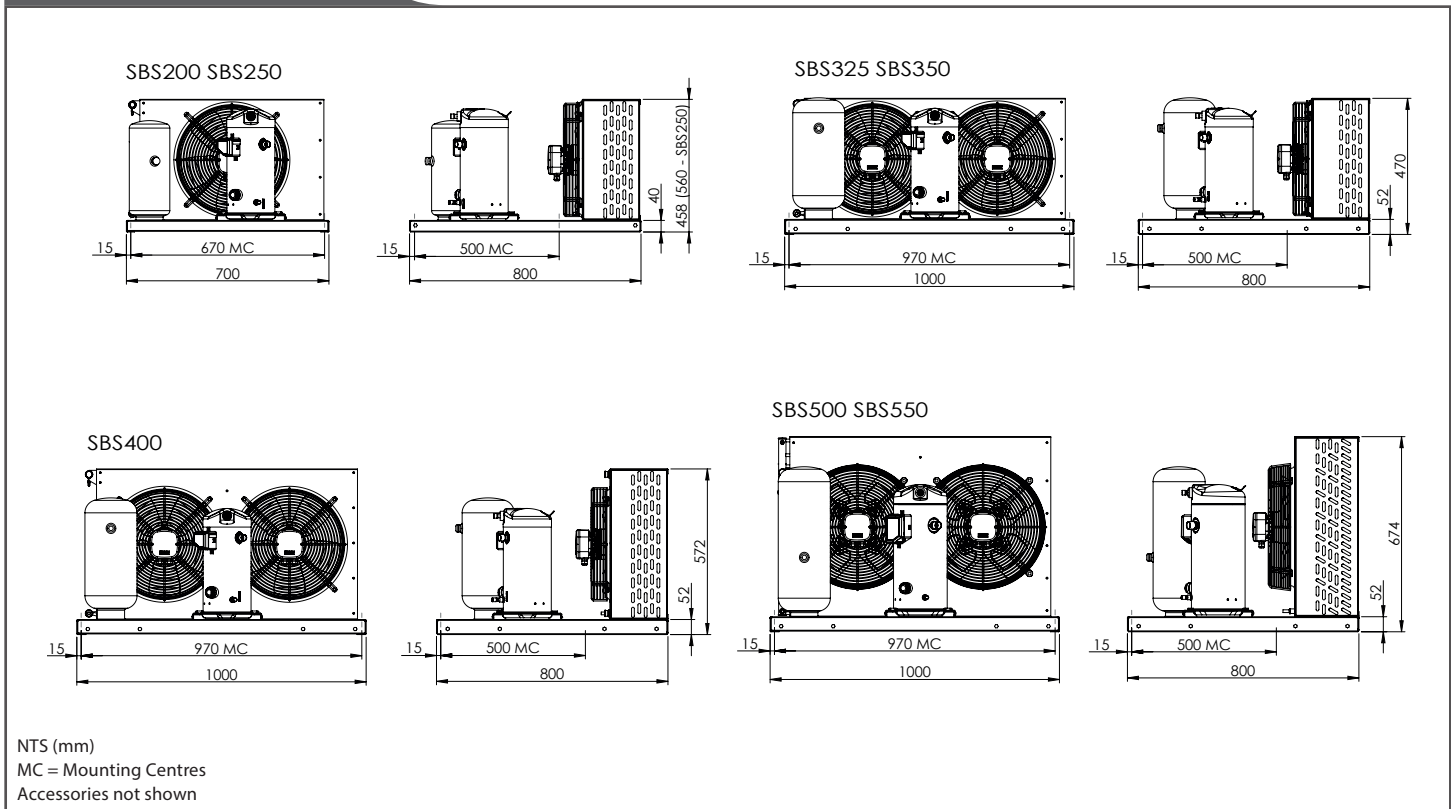
2.0 5.5 hp

**COPELAND™**

**CAPACITY** (Watts) @ 32°C Ambient

Model	Nom. hp	Refrigerant	Evaporating Temp °C								
			-25	-20	-15	-10	-5	0	5	10	15
SBS200	2.0	R134a	-	-	-	1750	2350	3100	4150	4850	5850
		R449A	1750	2400	2820	3470	4230	5020	5990	-	-
		R404A	2250	2650	3190	3800	4480	5240	5980	-	-
SBS250	2.5	R134a	-	-	-	2340	2950	3600	4400	5400	6400
		R449A	2050	2830	3390	4150	5020	5950	7080	-	-
		R404A	2600	3120	3760	4490	5300	6210	7230	-	-
SBS325	3.25	R134a	-	-	-	3400	4200	5250	6250	7400	8800
		R449A	2640	3500	4280	5240	6330	7490	8780	-	-
		R404A	3270	3930	4730	5640	6550	7670	8770	-	-
SBS350	3.5	R134a	-	-	-	4000	5000	5900	7200	8450	10000
		R449A	2870	4000	4900	5930	7170	8490	9960	-	-
		R404A	3680	4320	5200	6190	7180	8420	9610	-	-
SBS400	4.0	R134a	-	-	-	4600	5900	7000	8300	9900	11000
		R449A	3310	4660	5620	6820	8190	9660	11280	-	-
		R404A	4210	5060	6170	7410	8780	10130	11770	-	-
SBS500	5.0	R134a	-	-	-	5200	6650	8500	10100	12110	14350
		R449A	4700	6130	7360	8870	10690	12600	14760	-	-
		R404A	5200	6230	7630	9200	10750	12600	14380	-	-
SBS550	5.5	R134a	-	-	-	5500	7000	8850	10480	12560	15000
		R449A	5270	7030	8300	10020	12060	14180	16640	-	-
		R404A	6140	7250	8730	10400	12260	14130	16430	-	-

DIMENSIONS



TECHNICAL DATA

MODEL	COMPRESSOR					CONDENSER					RECEIVER	CONNECTIONS		Noise Level (dbA) (3)	Wgt (kg)
	Nom. hp	Model	Voltage	RLA Amps	LRA Amps	Model	Airflow (l/sec)	Fan Motors			Capacity (kg) (2)	Suction	Receiver Outlet		
								No. (1)	Tot. Watts	Tot. Amps					
SBS200	2.0	ZB15KQE-PFJ	220-240/1/50	12.8	58.0	NQ200	710	1 x 350	145	0.7	3.7	3/4"	3/8"	63	60
SBS250	2.5	ZB19KQE-PFJ	220-240/1/50	12.8	61.0	NQ250	980	1 x 350	145	0.7	3.7	3/4"	3/8"	64	65
SBS325	3.3	ZB21KQE-PFJ	220-240/1/50	13.8	82.0	NQ300	1460	2 x 350	290	1.4	6.2	3/4"	1/2"	64	83
SBS350	3.5	ZB26KQE-PFJ	220-240/1/50	20.0	97.0	NQ300	1460	2 x 350	290	1.4	6.2	3/4"	1/2"	64	84
SBS400	4.0	ZB29KQE-PFJ	220-240/1/50	23.5	114.0	NQ400	1510	2 x 350	290	1.4	6.2	3/4"	1/2"	64	99
SBS500	5.0	ZB38KQE-PFJ	220-240/1/50	23.3	142.0	NQ500	1470	2 x 350	290	1.4	8.8	7/8"	1/2"	65	109
SBS550	5.5	ZB42KQE-PFJ	220-240/1/50	29.8	150.0	NQ600	1550	2 x 400	520	3.0	8.8	7/8"	1/2"	65	113

NOTES:

- All fans 220-240/1/50
- R404A pump down capacity @ 80% full for 32° C liquid temp.
- All noise level ratings are "free field" based at a distance of 3.0 mtrs from source and are given as a guide only.
- Electrically complies to AS/NZS 60335.2.89 : 2002 + A1-A3 (Selected clauses)

The company reserves the right to make specification changes without notice. NZ 17/01/2019

# Scroll Condensing Units



- Reliable and efficient Copeland Scroll Compressors.
- Generous wide finned, low noise level condensers factory supplied with protective fin and coil coating.
- Wide range of factory fitted accessories available
- Specifically designed for Australasian conditions

**SK** LOW / MEDIUM

3 15 hp

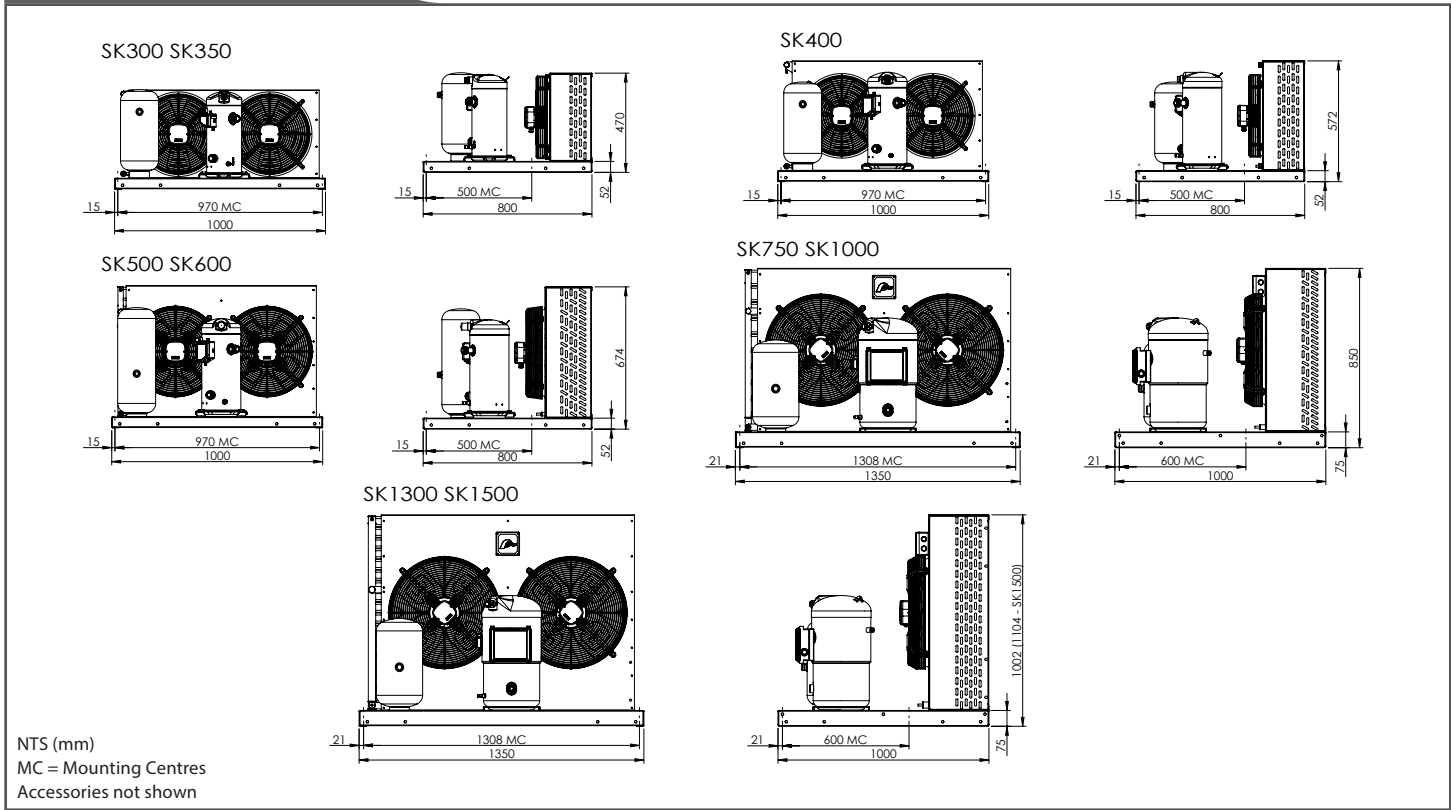
**COPELAND™**

**CAPACITY** (Watts) @ 32°C Ambient

Model	Nom. hp	Refrigerant	Evaporating Temp °C									
			-40	-35	-30	-25	-20	-15	-10	-5	0	5
SK300	3.0	R449A	1430	1860	2340	2930	3580	4330	5190	6090	-	-
		R404A	1640	2080	2570	3160	3790	4520	5340	6180	7220	8240
SK350	3.5	R449A	1810	2310	2910	3590	4370	5260	6210	7290	-	-
		R404A	2070	2550	3180	3850	4600	5450	6340	7320	8400	9600
SK400	4.0	R449A	2040	2670	3380	4210	5160	6250	7480	8770	-	-
		R404A	2340	2990	3700	4530	5450	6510	7690	8870	10170	11550
SK500	5.0	R449A	2540	3250	4100	5140	6300	7530	9030	10590	-	-
		R404A	2910	3640	4480	5530	6560	7820	9240	10640	12180	13840
SK600	6.0	R449A	2940	3870	4880	6040	7360	8900	10650	12510	-	-
		R404A	3410	4320	5330	6470	7760	9230	10920	12600	14490	16590
SK750	7.5	R449A	3830	4940	6200	7670	9410	11290	13550	16000	-	-
		R404A	4440	5540	6800	8260	9940	11710	13900	16120	18560	21110
SK1000	10.0	R449A	4970	6500	8200	10210	12480	15150	17980	21150	-	-
		R404A	5680	7280	9000	10970	13240	15570	18400	21340	24480	27970
SK1300	13.0	R449A	6100	7870	9890	12250	15000	17940	21200	24890	-	-
		R404A	7170	8950	11020	13390	16120	19280	22460	26010	30480	34210
SK1500	15.0	R449A	7530	9630	12100	15010	18460	22110	26560	31310	-	-
		R404A	8620	10760	13250	16140	19430	22870	27070	31420	35560	40900



DIMENSIONS



TECHNICAL DATA

MODEL	COMPRESSOR (1)					CONDENSER					RECEIVER	CONNECTIONS		Noise Level (dbA) (4)	Wgt (kg)
	Nom. hp	Model	Voltage	RLA Amps	LRA Amps	Model	Airflow (l/sec)	Fan Motors			Capacity (kg) (3)	Suction	Receiver Outlet		
								No. (2)	Tot. Watts	Tot. Amps					
SK300	3.0	ZF09KQE-TFD	380-420/3/50	6.0	40.0	NQ300	1460	2 x 350	290	1.4	6.2	7/8"	1/2"	61	65
SK350	3.5	ZF11KQE-TFD	380-420/3/50	7.1	46.0	NQ300	1460	2 x 350	290	1.4	6.2	7/8"	1/2"	61	65
SK400	4.0	ZF13KQE-TFD	380-420/3/50	8.0	51.5	NQ400	1510	2 x 350	290	1.4	6.2	7/8"	1/2"	61	80
SK500	5.0	ZF15KQE-TFD	380-420/3/50	10.0	64.0	NQ500	1470	2 x 350	290	1.4	8.8	7/8"	5/8"	62	95
SK600	6.0	ZF18KQE-TFD	380-420/3/50	12.5	74.0	NQ600	1550	2 x 400	520	3.0	8.8	7/8"	5/8"	66	100
SK750	7.5	ZF25KQE-TFD	380-420/3/50	13.7	102.0	NQ750	2550	2 x 500	940	4.0	10.4	1-1/8"	7/8"	67	160
SK1000	10.0	ZF34KQE-TFD	380-420/3/50	25.0	100.0	NQ1000	2360	2 x 500	940	4.0	10.4	1-3/8"	7/8"	69	175
SK1300	13.0	ZF41KQE-TFD	380-420/3/50	29.0	118.0	NQ1300	2950	2 x 500	940	4.0	10.4	1-3/8"	7/8"	69	220
SK1500	15.0	ZF49KQE-TFD	380-420/3/50	30.0	139.0	NQ1400	3610	2 x 500	940	4.0	20.0	1-5/8"	7/8"	69	260

NOTES:

- ZF compressors must be used with liquid injection kit (-Q accessory) for application within the shaded zone (refer capacity).
- 350mm, 400mm & 500mm Cond Fans - 220-240/1/50
- R404A pump down capacity @ 80% full for 32° C liquid temp.
- All noise level ratings are "free field" based at a distance of 3.0 mtrs from source and are given as a guide only.

The company reserves the right to make specification changes without notice. NZ 17/01/2019

# PATTON

The company reserves the right to make specification changes without notice. 17/01/2019

