

## POWERED BY BITZER

### BENEFITS

- Bitzer made in Germany
- Easy access for maintenance
- Dual pressure control fitted on all models
- Suction accumulator fitted on all LT models
- Liquid line drier & sight glass fitted on all models
- Oil safety control on all models



## R404A LOW TEMP

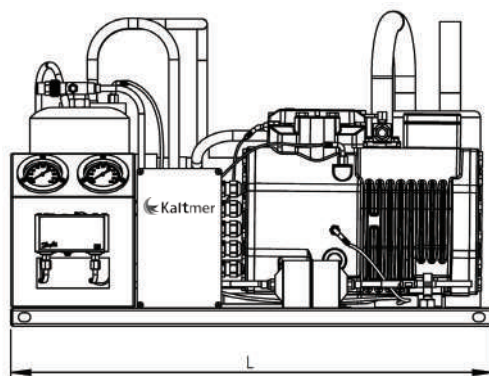
Model	Water Inlet Temp. (°C)	Capacity (kW)								Power Input (kW)					
		Evaporating Temperature (°C)								Evaporating Temperature (°C)					
		-40	-35	-30	-25	-20	-15	-10	-40	-35	-30	-25	-20	-15	-10
BZCL2F2-WE	7	1.84	2.44	3.12	3.90	4.80	5.80	6.93	1.01	1.14	1.27	1.39	1.51	1.61	1.70
	25	1.18	1.62	2.14	2.75	3.44	4.22	5.11	0.99	1.17	1.35	1.53	1.71	1.89	2.06
	35	0.86	1.22	1.66	2.16	2.74	3.41	4.16	0.97	1.18	1.39	1.61	1.83	2.05	2.26
BZCL2E2-WE	7	2.10	2.81	3.63	4.58	5.64	6.84	8.17	0.99	1.14	1.29	1.44	1.60	1.77	1.94
	25	1.46	2.01	2.66	3.39	4.23	5.17	6.23	1.07	1.27	1.49	1.71	1.94	2.18	2.43
	35	1.09	1.56	2.09	2.71	3.41	4.21	5.11	1.05	1.28	1.53	1.78	2.05	2.33	2.62
BZCL2D2-WE	7	2.47	3.28	4.24	5.33	6.57	7.98	9.52	1.16	1.33	1.50	1.68	1.86	2.05	2.25
	25	1.73	2.38	3.13	3.99	4.96	6.07	7.30	1.27	1.51	1.76	2.02	2.30	2.57	2.86
	35	1.31	1.86	2.48	3.20	4.03	4.96	6.02	1.27	1.54	1.83	2.13	2.44	2.77	3.10
BZCL2C3-WE	7	3.16	4.19	5.37	6.74	8.28	10.02	11.94	1.48	1.69	1.91	2.13	2.36	2.59	2.84
	25	2.27	3.08	4.01	5.08	6.30	7.66	9.19	1.66	1.95	2.26	2.58	2.92	3.27	3.63
	35	1.75	2.43	3.21	4.11	5.13	6.29	7.60	1.69	2.02	2.37	2.74	3.13	3.53	3.95
BZCL4F3-WE	7	3.32	4.39	5.67	7.21	9.00	11.05	13.35	1.59	1.79	2.01	2.22	2.45	2.68	2.90
	25	2.50	3.35	4.35	5.54	6.91	8.51	10.33	1.84	2.14	2.47	2.80	3.15	3.49	3.84
	35	1.98	2.69	3.53	4.52	5.68	7.02	8.57	1.89	2.24	2.62	3.01	3.41	3.82	4.22
BZCL4E4-WE	7	4.32	5.70	7.33	9.26	11.50	14.08	16.95	1.97	2.25	2.53	2.81	3.10	3.40	3.69
	25	3.19	4.26	5.54	7.04	8.80	10.80	13.09	2.25	2.65	3.08	3.51	3.97	4.43	4.90
	35	2.51	3.41	4.48	5.74	7.21	8.92	10.87	2.30	2.77	3.26	3.78	4.31	4.85	5.40
BZCL4D5-WE	7	5.07	6.64	8.49	10.64	13.13	15.94	19.07	2.35	2.67	3.01	3.36	3.72	4.09	4.47
	25	3.66	4.88	6.32	7.99	9.94	12.15	14.68	2.62	3.08	3.57	4.09	4.62	5.17	5.73
	35	2.87	3.89	5.08	6.49	8.13	10.05	12.20	2.68	3.20	3.77	4.36	4.98	5.62	6.28
BZCL4C6-WE	7	6.50	8.53	10.88	13.61	16.72	20.27	24.24	2.93	3.34	3.76	4.18	4.62	5.06	5.50
	25	4.54	6.11	7.94	10.07	12.55	15.40	18.61	3.17	3.74	4.35	4.98	5.64	6.31	6.99
	35	3.51	4.80	6.34	8.13	10.24	12.70	15.51	3.21	3.86	4.55	5.29	6.05	6.83	7.64
BZCL4V7-WE	7	6.61	8.81	11.36	14.29	17.68	21.47	25.67	3.01	3.45	3.90	4.37	4.85	5.34	5.86
	25	4.33	5.99	7.93	10.20	12.84	15.83	19.26	2.87	3.47	4.12	4.81	5.54	6.32	7.13
	35	3.21	4.57	6.19	8.10	10.33	12.88	15.83	2.80	3.48	4.22	5.02	5.88	6.79	7.75

Note: The rating condition is based on a superheating 10K, Subcool with the limits of the condensing unit.

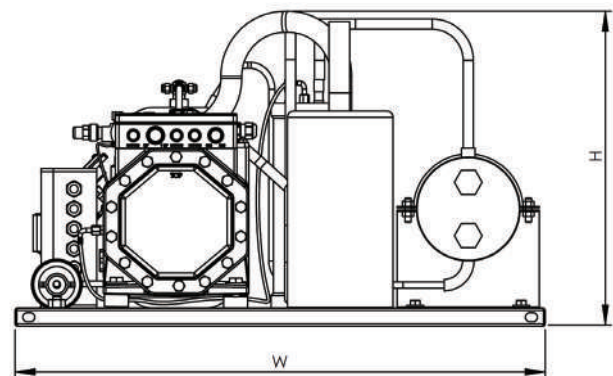
## TECHNICAL DATA

MODEL NAME		BZCL2F2-WE	BZCL2E2-WE	BZCL2D2-WE	BZCL2C3-WE	BZCL4F3-WE	BZCL4E4-WE	BZCL4D5-WE	BZCL4C6-WE	BZCL4V7-WE
Compressor	MODEL	2FES-2Y	2EES-2Y	2DES-2Y	2CES-3Y	4FES-3Y	4EES-4Y	4DES-5Y	6CES-6Y	4VES-7Y
	Horse Power (hp)	2	2	2	3	3	4	5	6	7
	Rated Input Volt	AC 380-420V/3PH/50Hz								
	RLA Amps	3.38	3.52	4.11	5.4	5.91	6.78	8.09	9.98	9.17
	MCC Amps	5.00	6.00	8.00	9.00	10.00	12.00	15.00	18.00	16.60
	LRA Amps	22.5	26.0	30.7	37.0	44.2	53.5	62.2	82.4	68.0
	Oil Type	POE(32cSt)								
	Oil Precharge (L)	0.6								
	Oil Quantity (L)	1.0	1.5	1.5	1.5	2.0	2.0	2.0	2.0	2.6
	Condenser	Water Inlet&Outlet size	1"	1"	1"	1-1/2"	1"	1-1/2"	1-1/2"	1-1/2"
Reciever (L)		6	6	6	6	6	8	8	14	14
Suction Tube Size		3/4"	7/8"	7/8"	7/8"	7/8"	1-1/8"	1-1/8"	1-1/8"	1-1/8"
Liquid Tube Size		3/8"	3/8"	3/8"	3/8"	3/8"	1/2"	1/2"	1/2"	1/2"
Dimension	[L]Length(mm)	800	800	800	800	800	800	800	1150	1150
	[W]Width (mm)	760	880	880	880	880	880	880	900	900
	[H]Hieght(mm)	530	530	530	530	580	580	580	650	650
	Weight (kg)	101	123	125	141	157	172	173	199	238

## DIMENSION



FRONT ELEVATION



SIDE ELEVATION

POWERED BY BITZER

## BENEFITS

- Bitzer made in Germany
- Easy access for maintenance
- Dual pressure control fitted on all models
- Liquid line drier & sight glass fitted on all models
- Oil safety control on all models



## R404A MEDIUM TEMP

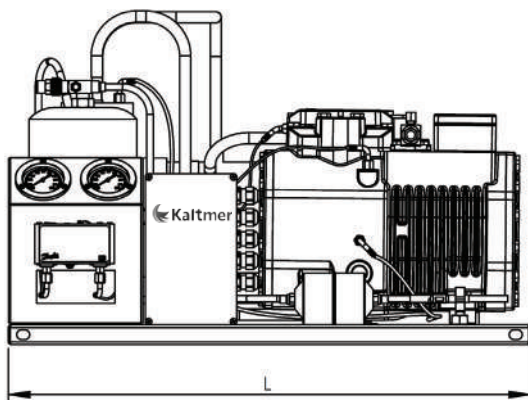
Model	Water Inlet Temp. (°C)	Capacity (kW)							Power Input (kW)						
		Evaporating Temperature (°C)							Evaporating Temperature (°C)						
		-20	-15	-10	-5	0	5	10	-20	-15	-10	-5	0	5	10
BZCM2G2-WE	7	4.06	4.92	5.87	6.92	8.05	9.29	10.61	1.15	1.22	1.29	1.35	1.41	1.47	1.52
	25	3.06	3.74	4.49	5.32	6.23	7.22	8.28	1.37	1.50	1.62	1.75	1.87	2.00	2.12
	35	2.56	3.13	3.78	4.49	5.27	6.12	7.04	1.46	1.63	1.79	1.95	2.11	2.28	2.45
BZCM2F3-WE	7	5.11	6.18	7.37	8.67	10.11	11.62	13.24	1.39	1.48	1.56	1.65	1.72	1.80	1.87
	25	3.80	4.63	5.56	6.58	7.71	8.90	10.19	1.67	1.83	1.99	2.15	2.30	2.47	2.63
	35	3.15	3.85	4.64	5.50	6.45	7.48	8.57	1.78	1.99	2.20	2.40	2.61	2.82	3.04
BZCM2E3-WE	7	6.13	7.47	8.98	10.65	12.47	14.41	16.49	1.53	1.65	1.77	1.89	2.01	2.13	2.25
	25	4.85	5.92	7.11	8.42	9.84	11.39	13.04	1.91	2.11	2.31	2.51	2.71	2.91	3.11
	35	4.08	4.99	6.00	7.12	8.34	9.66	11.08	2.03	2.28	2.52	2.76	3.00	3.24	3.47
BZCM2D3-WE	7	7.15	8.73	10.51	12.47	14.63	16.95	19.46	1.72	1.85	1.98	2.10	2.21	2.33	2.45
	25	5.70	6.96	8.37	9.92	11.63	13.47	15.48	2.20	2.42	2.65	2.88	3.10	3.32	3.54
	35	4.82	5.90	7.10	8.42	9.87	11.47	13.17	2.37	2.64	2.92	3.20	3.48	3.75	4.02
BZCM2C4-WE	7	9.05	11.03	13.26	15.73	18.44	21.35	24.52	2.16	2.32	2.47	2.62	2.76	2.90	3.03
	25	7.28	8.86	10.62	12.59	14.73	17.07	19.56	2.79	3.07	3.35	3.63	3.90	4.16	4.43
	35	6.20	7.55	9.05	10.72	12.56	14.53	16.70	3.03	3.37	3.72	4.06	4.40	4.74	5.06
BZCM4F5-WE	7	9.51	11.74	14.24	17.02	20.08	23.38	26.92	2.35	2.53	2.71	2.89	3.05	3.21	3.35
	25	7.70	9.41	11.37	13.51	15.89	18.45	21.21	3.06	3.37	3.66	3.96	4.23	4.49	4.73
	35	6.57	8.02	9.64	11.46	13.46	15.61	17.97	3.34	3.70	4.06	4.40	4.73	5.04	5.33
BZCM4E6-WE	7	12.15	14.94	18.10	21.64	25.52	29.76	34.30	2.93	3.16	3.38	3.58	3.77	3.94	4.10
	25	9.72	11.91	14.40	17.16	20.24	23.58	27.16	3.79	4.19	4.58	4.96	5.31	5.65	5.98
	35	8.26	10.13	12.23	14.58	17.18	20.03	23.13	4.12	4.60	5.07	5.54	5.99	6.41	6.81
BZCM4D7-WE	7	14.09	17.19	20.65	24.51	28.73	33.29	38.20	3.53	3.82	4.10	4.37	4.63	4.89	5.13
	25	11.22	13.68	16.44	19.48	22.86	26.52	30.43	4.46	4.93	5.40	5.87	6.31	6.74	7.16
	35	9.57	11.66	14.02	16.62	19.53	22.68	26.04	4.84	5.40	5.96	6.52	7.05	7.58	8.09
BZCM4C9-WE	7	17.84	21.65	25.94	30.69	35.89	41.59	47.69	4.46	4.83	5.19	5.53	5.86	6.17	6.48
	25	13.99	17.04	20.48	24.34	28.56	33.20	38.18	5.54	6.17	6.79	7.41	8.02	8.61	9.20
	35	11.88	14.52	17.48	20.83	24.48	28.53	32.90	5.98	6.73	7.49	8.24	9.00	9.73	10.47
BZCM4V10-WE	7	19.39	23.75	28.67	34.19	40.27	46.88	54.06	4.52	4.86	5.19	5.48	5.76	6.01	6.23
	25	14.83	18.32	22.25	26.68	31.62	37.01	42.90	5.34	5.96	6.57	7.17	7.76	8.33	8.87
	35	12.40	15.39	18.76	22.62	26.88	31.60	36.72	5.67	6.43	7.19	7.94	8.69	9.42	10.15

Note: The rating condition is based on a superheating 10K, Subcool with the limits of the condensing unit.

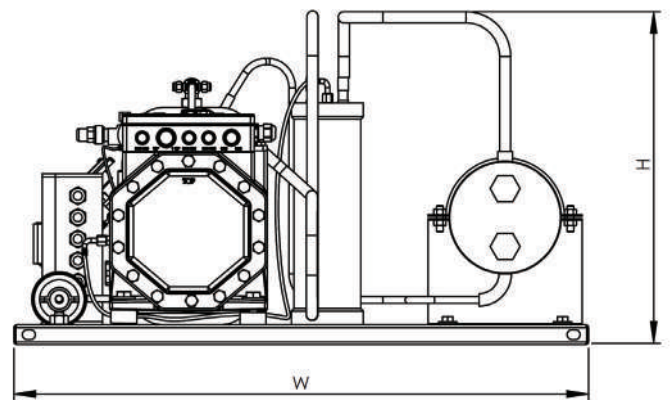
## TECHNICAL DATA

MODEL NAME	BZCM2G2-WE	BZCM2F3-WE	BZCM2E3-WE	BZCM2D3-WE	BZCM2C4-WE	BZCM4F5-WE	BZCM4E6-WE	BZCM4D7-WE	BZCM4C9-WE	BZCM4V10-WE
<b>MODEL</b>	2GES-2Y	2FES-3Y	2EES-3Y	2DES-3Y	2CES-4Y	4FES-5Y	4EES-6Y	4DES-7Y	4CES-9Y	4VES-7Y
<b>Horse Power (hp)</b>	2	3	3	3	4	5	6	7	9	7
<b>Rated Input Volt</b>	AC 380-420V/3PH/50Hz									
<b>RLA Amps</b>	3.73	4.45	5.38	5.99	7.26	8.04	9.68	11.4	13.85	14.3
<b>MCC Amps</b>	5.00	6.00	8.00	9.00	10.00	11.00	14.00	16.50	20.00	19.90
<b>LRA Amps</b>	22.5	25.5	37.0	37.0	44.2	62.2	62.2	82.4	82.4	99.0
<b>Oil Type</b>	POE(32cSt)									
<b>Oil Precharge (L)</b>	0.6									
<b>Oil Quantity (L)</b>	1.0	1.0	1.5	1.5	1.5	2.0	2.0	2.0	2.0	2.6
<b>Water Inlet&amp;Outlet size</b>	1"	1"	1-1/2"	1"	1-1/2"	1-1/2"	1-1/2"	1-1/2"	1-1/2"	1-1/2"
<b>Reciever (L)</b>	6	6	8	8	8	8	14	14	14	14
<b>Suction Tube Size</b>	3/4"	3/4"	7/8"	7/8"	7/8"	7/8"	1-1/8"	1-1/8"	1-1/8"	1-1/8"
<b>Liquid Tube Size</b>	3/8"	1/2"	1/2"	1/2"	1/2"	1/2"	5/8"	5/8"	5/8"	5/8"
<b>[L]Length(mm)</b>	800	800	800	800	800	800	1050	1050	1050	1250
<b>[W]Width (mm)</b>	760	760	880	880	880	880	800	800	800	850
<b>[H]Hieght(mm)</b>	530	530	610	610	610	610	630	630	630	670
<b>Weight (kg)</b>	94	100	136	140	148	164	185	187	202	260

## DIMENSION



FRONT ELEVATION



SIDE ELEVATION